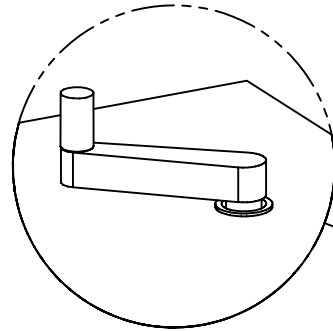


M COLLECTION - USER ADJUSTMENT GUIDE

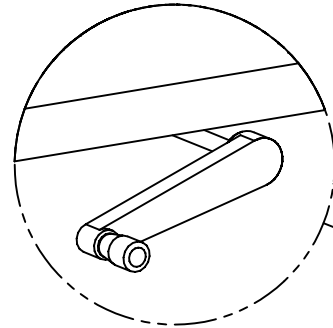
TOP CRANK

Adjust your crank table by inserting the crank handle and turning clockwise to move the table upward or counterclockwise to move the table downward.



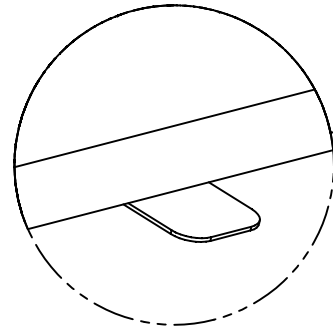
FRONT CRANK

Adjust your front crank table by pulling the front crank handle forward and rotating clockwise to move the table upward or counterclockwise to move the table downward.



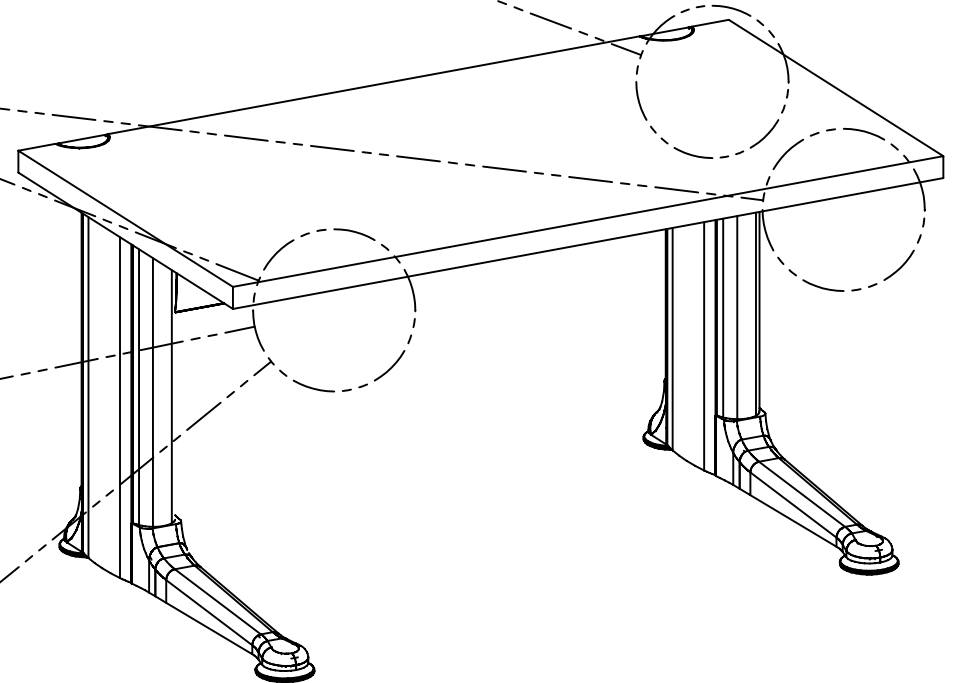
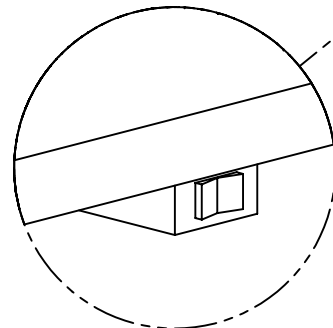
TORSION

Adjust your torsion table by squeezing the brake release, raising or lowering the surface to the desired height and then releasing.



ELECTRIC

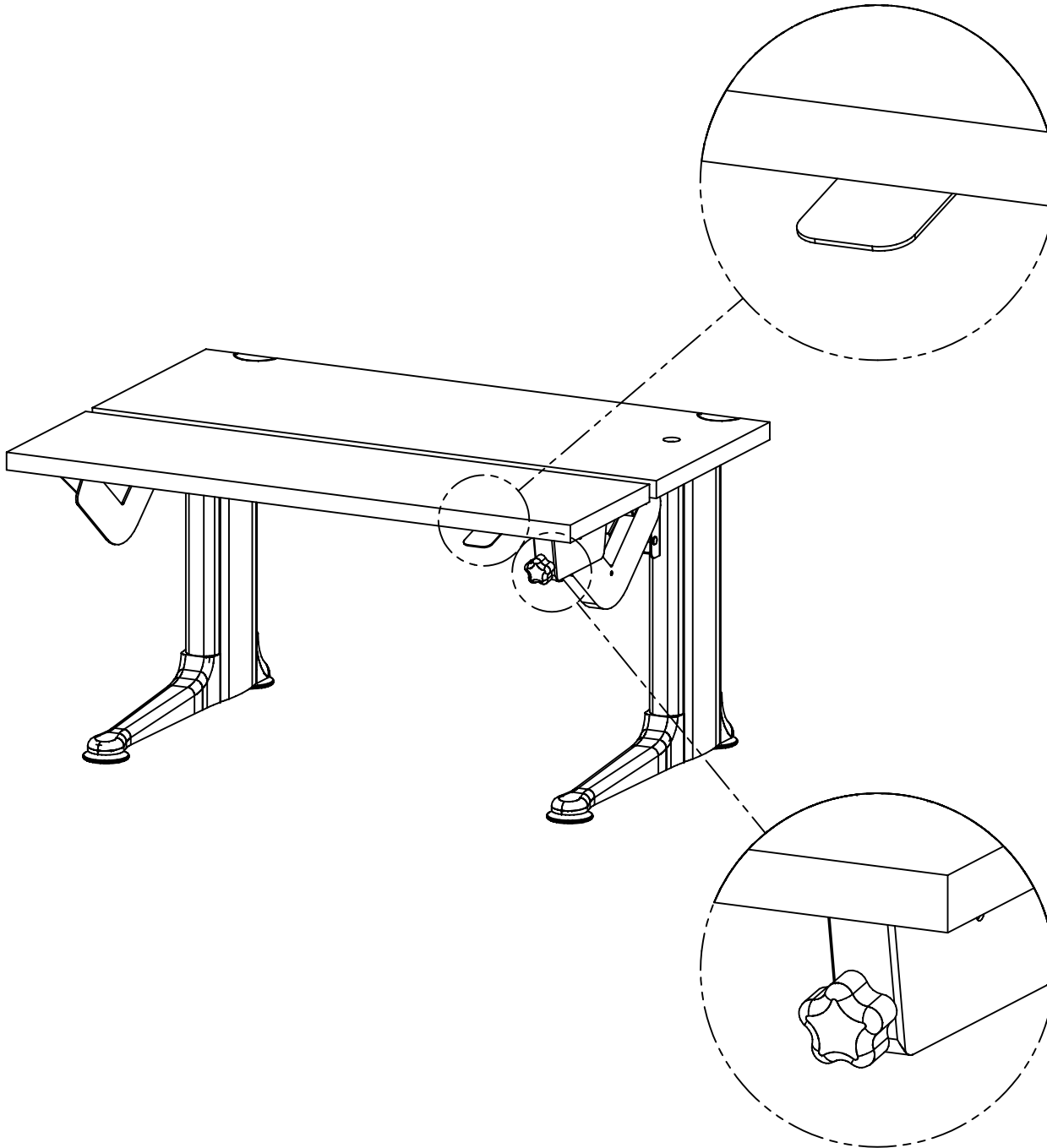
Adjust your electric table by depressing the rocker switch in one direction to lower the surface, or opposite direction to raise the surface, and release the switch when it has reached the desired height.



M COLLECTION - USER ADJUSTMENT GUIDE

KEYBOARD HEIGHT ADJUSTMENT

Adjust the height of your keyboard surface by squeezing the keyboard brake release, raising or lowering the keyboard surface to the desired height and then releasing.



KEYBOARD TILT ADJUSTMENT

Adjust the tilt of your keyboard by rotating the tilt knob counterclockwise 1/2 - 1 turn, tilting the top to the desired angle, and rotating the tilt knob clockwise to lock in place.