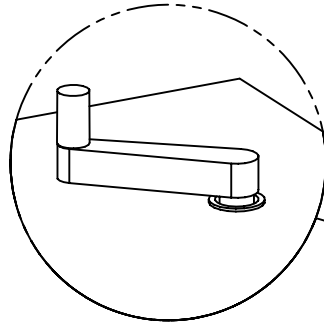


NEXT - USER ADJUSTMENT GUIDE

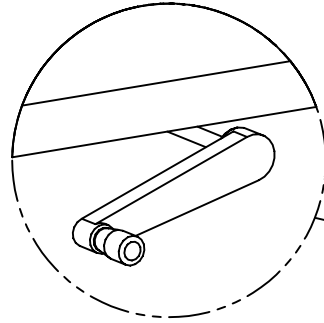
TOP CRANK

Adjust your crank table by inserting the crank handle and turning clockwise to move the table upward or counterclockwise to move the table downward.



FRONT CRANK

Adjust your front crank table by pulling the front crank handle forward and rotating clockwise to move the table upward or counterclockwise to move the table downward.



ELECTRIC

Initial Use - To begin using the table, press the down-arrow button until the table reaches its lowest position to synchronize the drive legs. *(If the key is released before the sequence is complete then the initialization is interrupted and must be started again from the beginning.)*

Normal Operation - Press the up-arrow or down-arrow button to achieve the desired height.

Setting the Memory - To set a memory position, adjust the surface to the desired height, then press the "S" button and within 2 seconds press the 1, 2, or 3 button to store the position.

Memory Use - To adjust the table to a stored position, press and hold the 1, 2 or 3 button until the surface stops at the desired memory position.

Re-Set Initialization - If power is lost to the table, repeat the Initial Use step to restore drive synchronization.

